

172500-1 ✓ ACTIVE

AMP | Mark II

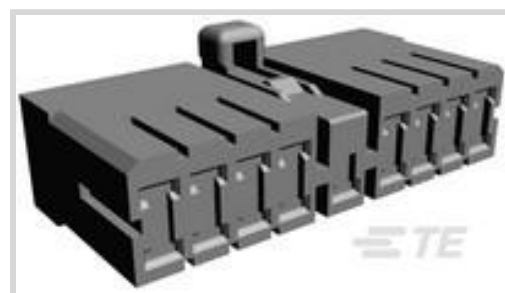
TE Internal #: 172500-1

Housing for Female Terminals, Wire-to-Wire / Wire-to-Board / Wire-to-Device, 17 Position, .197 in / .276 in [5 mm / 7 mm] Centerline, Natural, Mark II

[View on TE.com >](#)



Connectors > Automotive Connectors > Connector Housings



Connector & Housing Type: **Housing for Female Terminals**

Mating Tab Width: **3 mm [.118 in]**

Connector System: **Wire-to-Board, Wire-to-Device, Wire-to-Wire**

Number of Positions: **17**

Centerline (Pitch): **5 mm, 7 mm [.197 in, .276 in]**

Features

Product Type Features

Connector Shape	Rectangular
Connector & Housing Type	Housing for Female Terminals
Connector System	Wire-to-Board, Wire-to-Device, Wire-to-Wire
Sealable	No
Hybrid Connector	No
Primary Locking Feature	Integrated in Housing

Configuration Features

Number of Positions	17
Number of Rows	2

Electrical Characteristics

Operating Voltage	12 VDC
Nominal Voltage Architecture	12 V

Body Features

Cable Exit Angle	180°
Body Material	PA
Primary Product Color	Natural

Contact Features



Contact Size	3mm
Contact Type	Receptacle
Mating Tab Width	3 mm[.118 in]

Mechanical Attachment

Mounting Feature	Without
Terminal Position Assurance	No
Strain Relief	Without
Mating Alignment Type	Polarization Slot
Mating Alignment	With
Connector Mounting Type	Cable Mount (Free-Hanging)

Housing Features

Centerline (Pitch)	5 mm, 7 mm[.197 in][.276 in]
--------------------	------------------------------

Dimensions

Product Width	50 mm[1.969 in]
Product Length	24 mm[.945 in]
Product Height	18.8 mm[.74 in]
Row-to-Row Spacing	3.18 mm[.125 in]

Usage Conditions

Operating Temperature (Max)	70 °C, 75 °C, 80 °C, 85 °C, 90 °C, 100 °C, 105 °C[158 °F][167 °F][176 °F][185 °F][194 °F] [212 °F][221 °F]
Operating Temperature Range	-30 – 105 °C[-22 – 221 °F]

Operation/Application

Circuit Application	Signal
---------------------	--------

Industry Standards

UL Flammability Rating	UL 94V-2
------------------------	----------

Packaging Features

Packaging Method	Bag & Box
------------------	-----------

Other

Serviceable	Yes
Connector Position Assurance Capable	No

Product Compliance


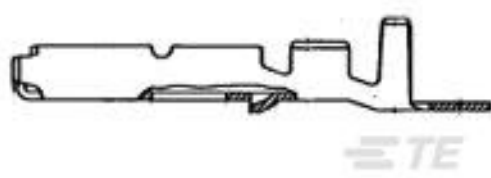
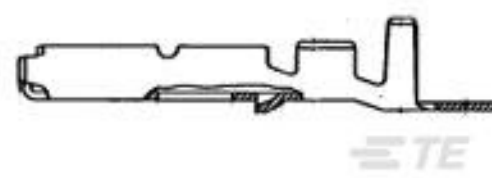
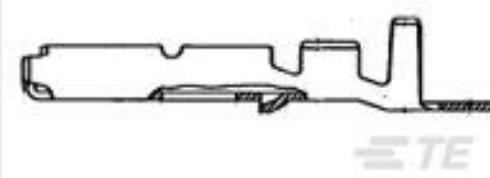
[For compliance documentation, visit the product page on TE.com>](#)

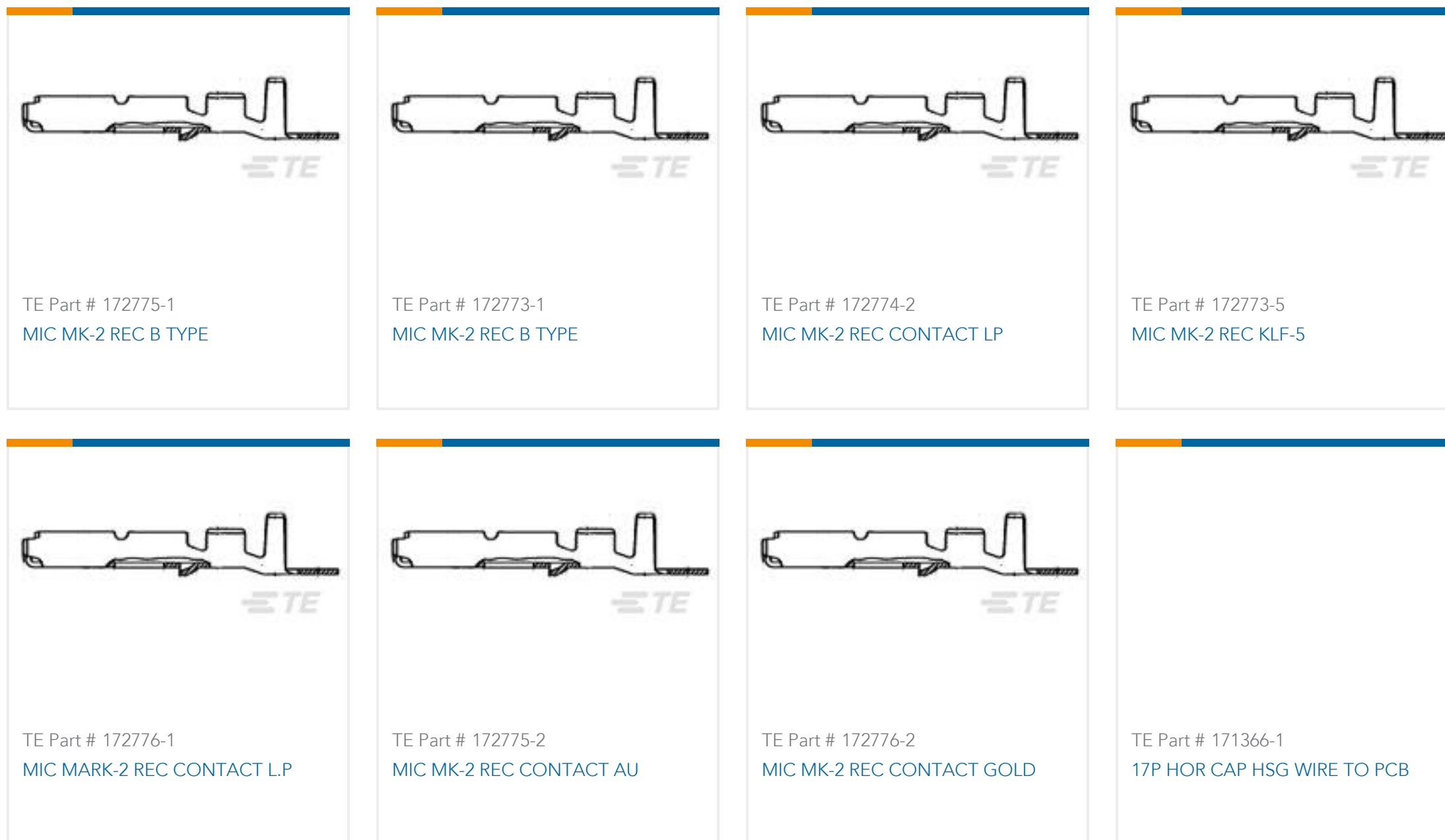
EU RoHS Directive 2011/65/EU	Compliant
EU ELV Directive 2000/53/EC	Compliant
China RoHS 2 Directive MIIT Order No 32, 2016	No Restricted Materials Above Threshold
EU REACH Regulation (EC) No. 1907/2006	Current ECHA Candidate List: JUNE 2022 (224) Candidate List Declared Against: JAN 2022 (223) Does not contain REACH SVHC
Halogen Content	Low Halogen - Br, Cl, F, I < 900 ppm per homogenous material. Also BFR/CFR/PVC Free
Solder Process Capability	Not applicable for solder process capability

Product Compliance Disclaimer

This information is provided based on reasonable inquiry of our suppliers and represents our current actual knowledge based on the information they provided. This information is subject to change. The part numbers that TE has identified as EU RoHS compliant have a maximum concentration of 0.1% by weight in homogenous materials for lead, hexavalent chromium, mercury, PBB, PBDE, DBP, BBP, DEHP, DIBP, and 0.01% for cadmium, or qualify for an exemption to these limits as defined in the Annexes of Directive 2011/65/EU (RoHS2). Finished electrical and electronic equipment products will be CE marked as required by Directive 2011/65/EU. Components may not be CE marked. Additionally, the part numbers that TE has identified as EU ELV compliant have a maximum concentration of 0.1% by weight in homogenous materials for lead, hexavalent chromium, and mercury, and 0.01% for cadmium, or qualify for an exemption to these limits as defined in the Annexes of Directive 2000/53/EC (ELV). Regarding the REACH Regulation, the information TE provides on SVHC in articles for this part number is based on the latest European Chemicals Agency (ECHA) 'Guidance on requirements for substances in articles' posted at this URL: <https://echa.europa.eu/guidance-documents/guidance-on-reach>

Compatible Parts

 <p>TE Part # 172774-1 RECP CONT MULTILOCK MIC MARKII</p>	 <p>TE Part # 172774-4 MIC MK-II LP</p>	 <p>TE Part # 172773-2 MIC MK-2 REC B TYPE</p>	 <p>TE Part # 172773-4 MIC MARK-2 REC B TYPE CONTACT</p>
--	---	---	---



Also in the Series | **Mark II**



Automotive Housings(5)



Automotive Terminals(22)



Insertion & Extraction Tools(2)

Documents

Product Drawings

MIC MARK-2 PLUG HSG 17P

English

CAD Files

Customer View Model

ENG_CVM_172500-1_O2.2d_dxf.zip

English

3D PDF

English

Customer View Model

ENG_CVM_172500-1_O2.3d_igs.zip

English

Customer View Model

ENG_CVM_172500-1_O2.3d_stp.zip

English



By downloading the CAD file I accept and agree to the [Terms and Conditions](#) of use.

Product Specifications

Multi-Interlock Mark II Connector for Wire to Board Termination

English

Product Specification

English

Product Specification

English

Multi-Interlock Mark II Connector for Wire to Wire Termination

English

Product Environmental Compliance

MD_172500-1_06012018241_dmtec

English

MD_172500-1_06012018241_dmtec

English

Instruction Sheets

Multi Interlock Connector Mark II

English

Customer Manual (non U.S.)

English

Agency Approvals

Agency Approval Document

English